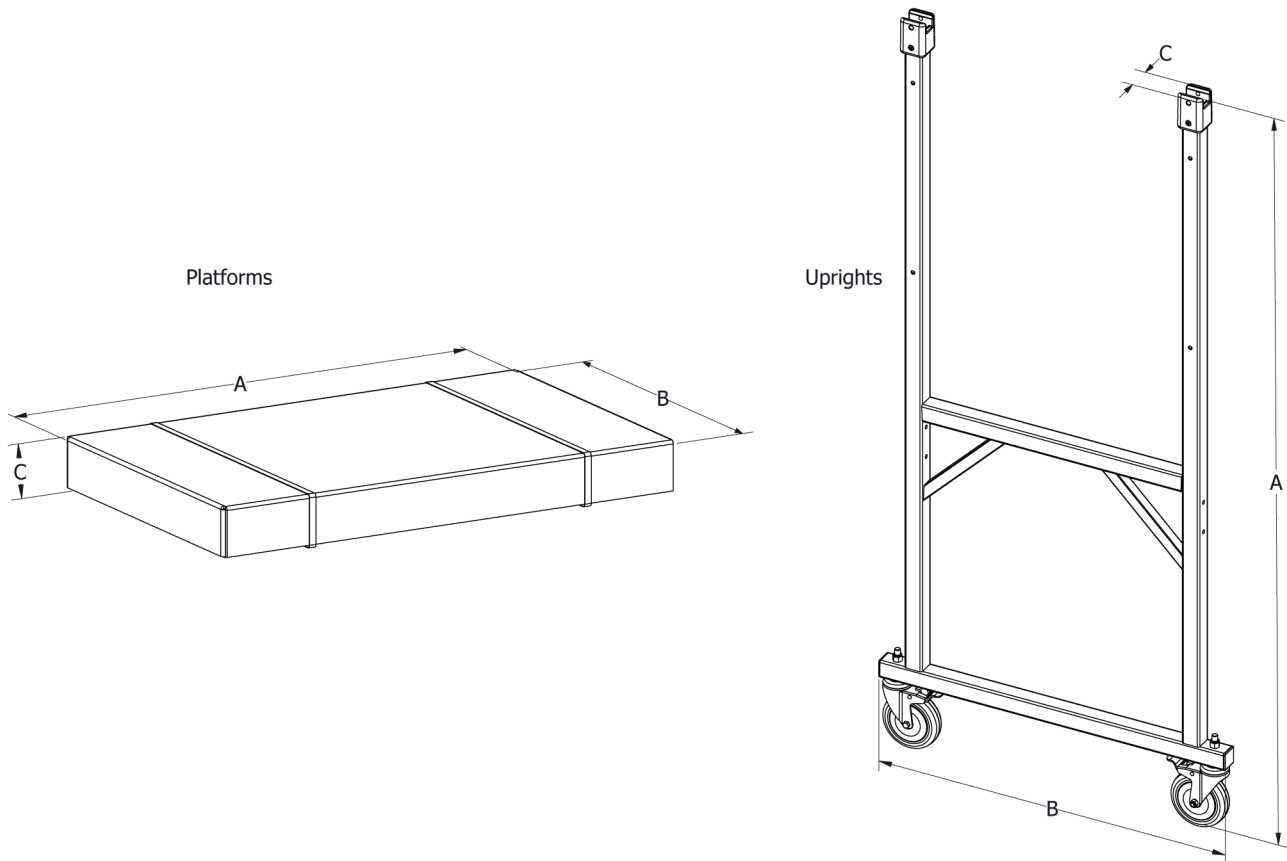


ACCESS PLATFORMS / MODULAR ACCESS SYSTEM



PRODUCT CODE	PRODUCT DESCRIPTION	PRODUCT EAN	A(mm)	B(mm)	C(mm)	WT(kg)	PACKED VOL(m³)
FS13789	MODULAR ACCESS SYSTEM 1.0M PLATFORM	9312097062238	1062	651	113	16.5	0.078
FS13790	MODULAR ACCESS SYSTEM 2.0M PLATFORM	9312097062245	2062	651	113	31.0	0.152
FS13791	MODULAR ACCESS SYSTEM 3 STEP UPRIGHT	9312097062252	1740	800	60	7.9	0.084
FS13792	MODULAR ACCESS SYSTEM 4 STEP UPRIGHT	9312097062269	2010	800	60	8.5	0.096
FS13793	MODULAR ACCESS SYSTEM 5 STEP UPRIGHT	9312097062276	2290	800	60	9.2	0.110
FS13794	MODULAR ACCESS SYSTEM 6 STEP UPRIGHT	9312097062283	2560	800	60	10.0	0.123